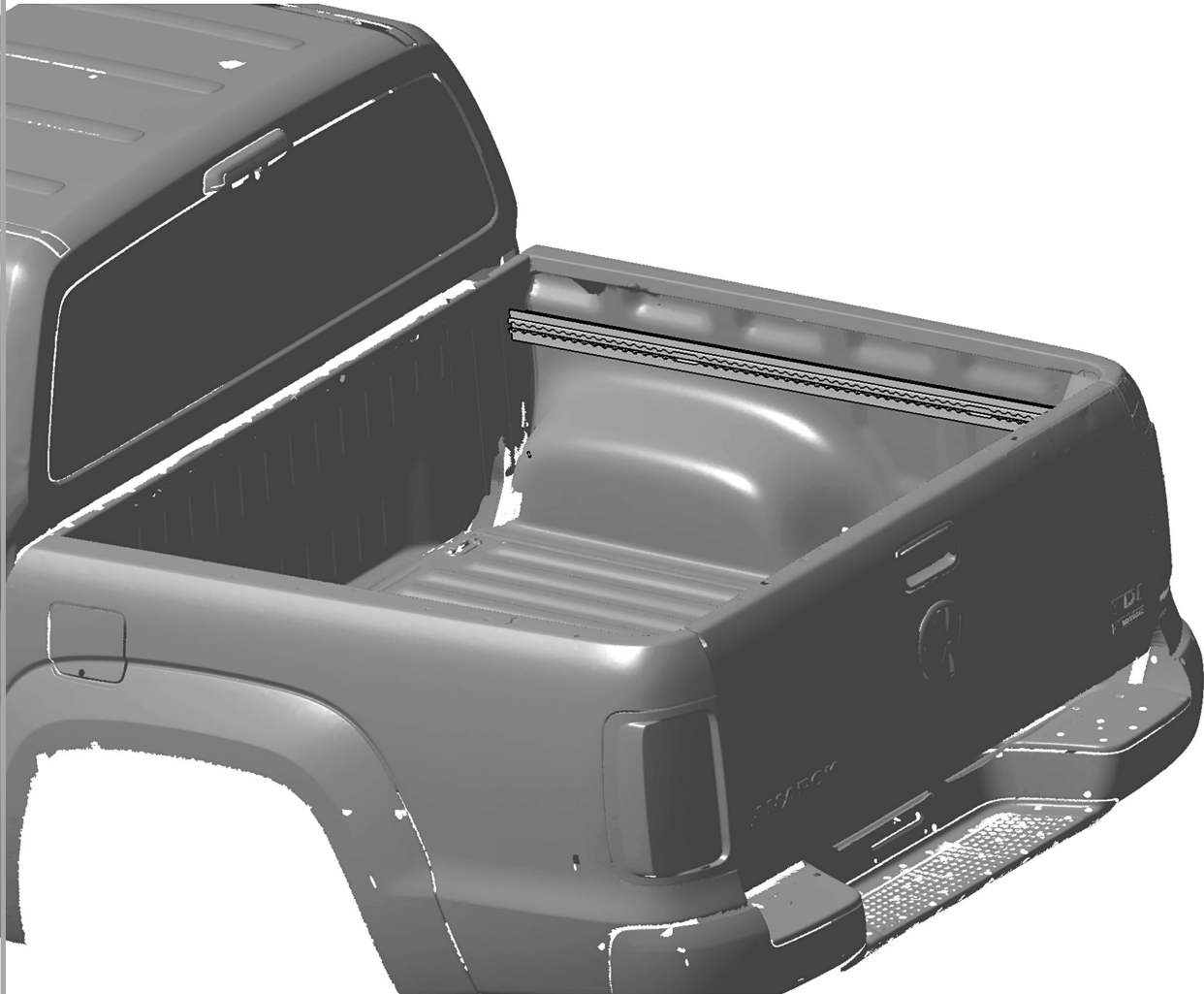


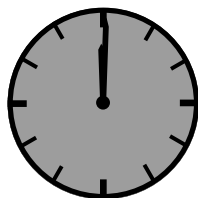
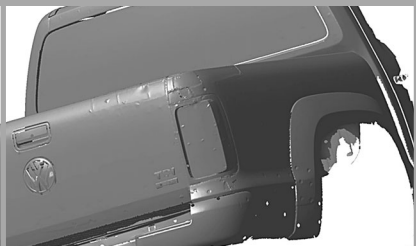
# ROAD RANGER®

PICKUP-ACCESSORIES

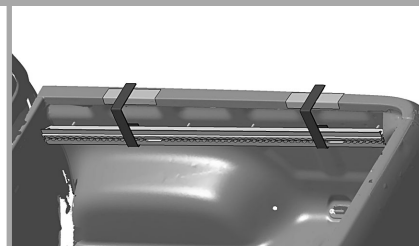


## MONTAGEANLEITUNG

ASSEMBLING INSTRUCTIONS



120 Minutes



MOUNTING ROAD RANGER RAIL /  
MONTAGE ROAD RANGER-SCHIENE

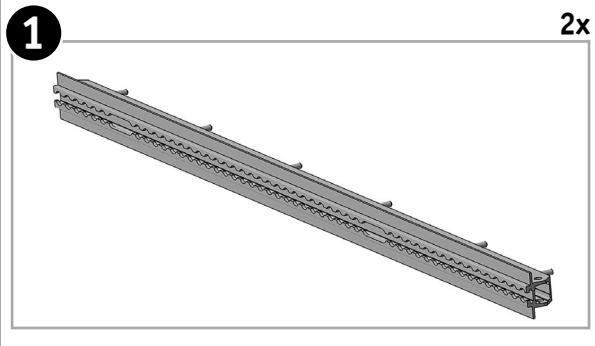
Article-Nr:  
600 03 10

WWW.ROADRANGER.DE



# ROAD RANGER®

## PICKUP-ACCESSORIES

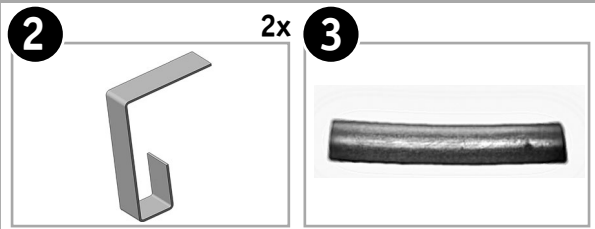
### Parts list/Teileliste/Lista de accesorios



### Standard Parts list/Normteileliste

<b>a</b>		M8; ähnlich DIN 6923	12x
<b>b</b>		Ø8,4; DIN 9021	12x

### Mounting set 005671 / Montagesatz 005671



## benötigte Werkzeuge

ASSEMBLING INSTRUCTIONS: REQUIRED TOOLS

SW: 13 mm



M8: 25 Nm



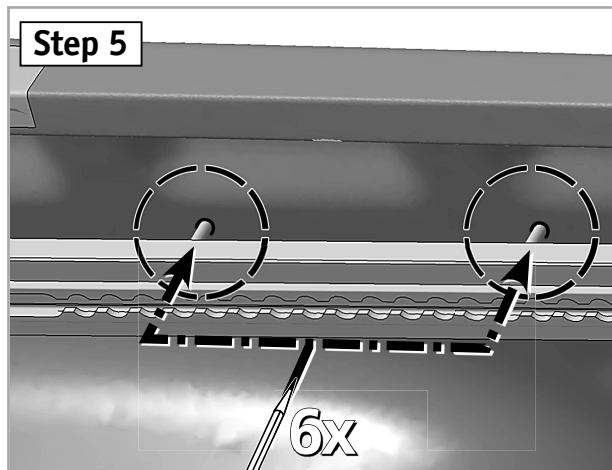
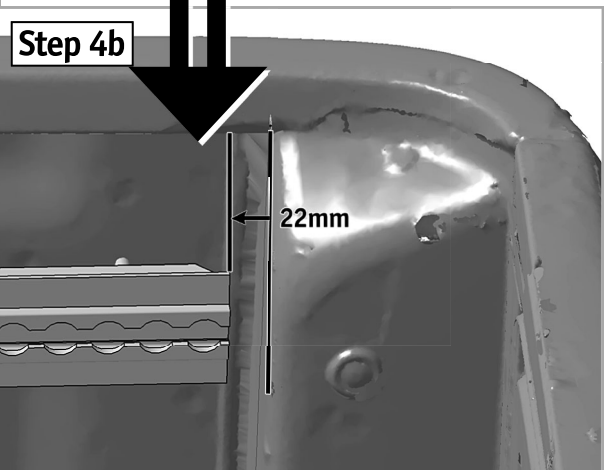
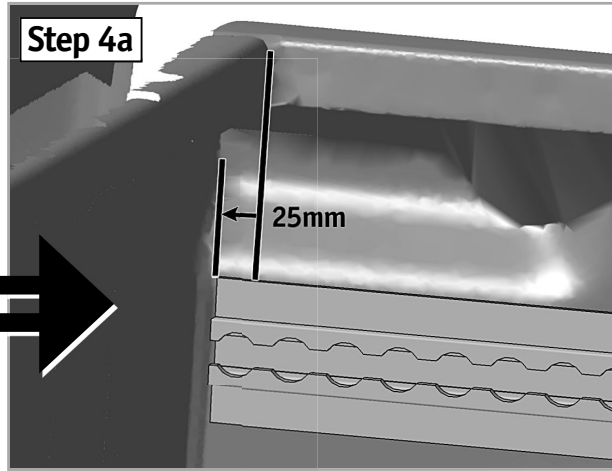
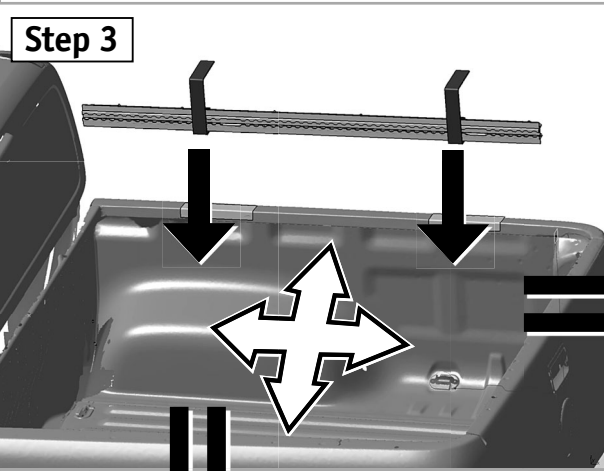
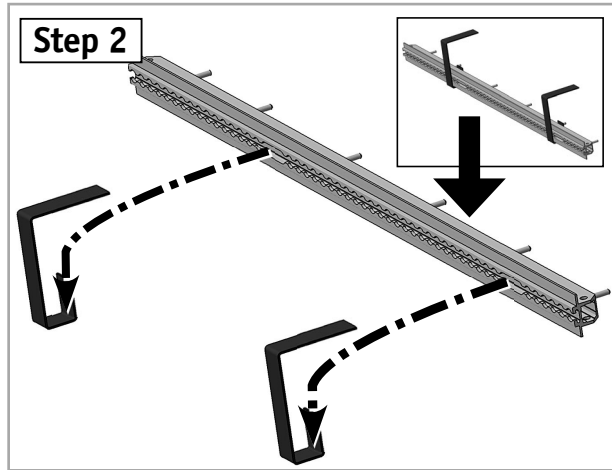
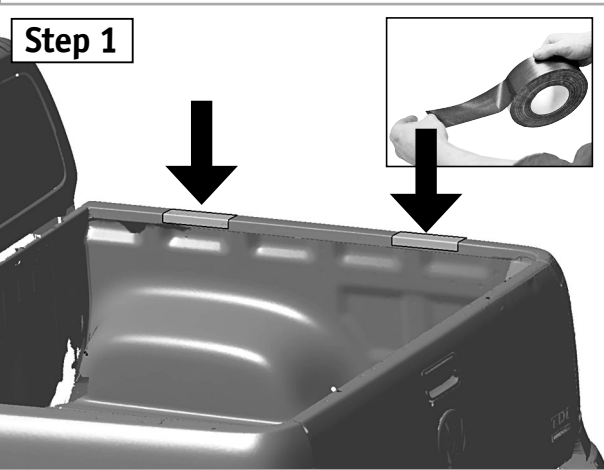
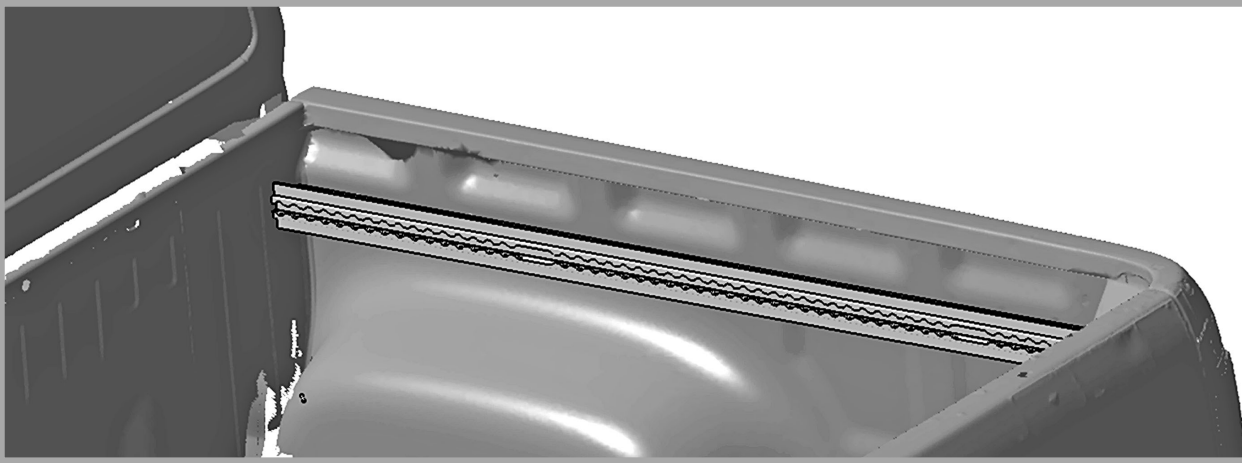
Ø10mm



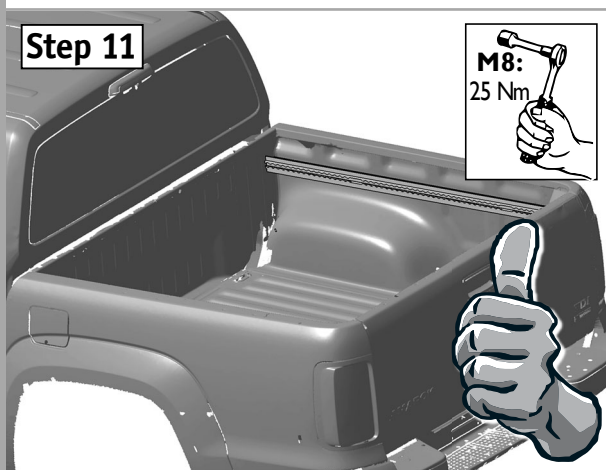
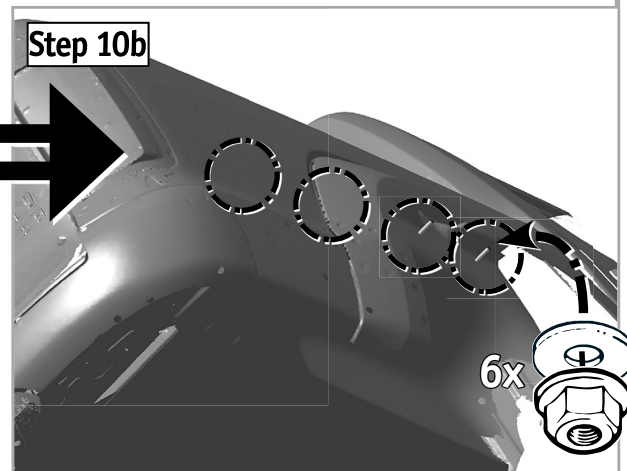
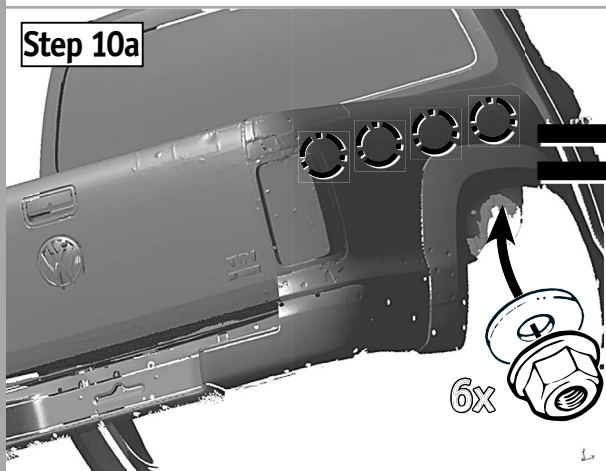
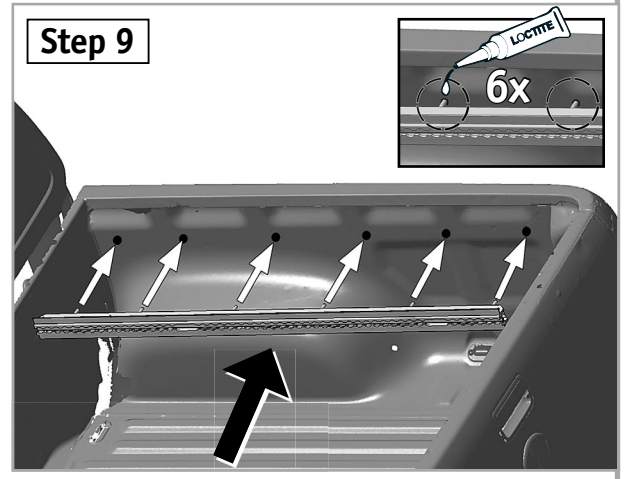
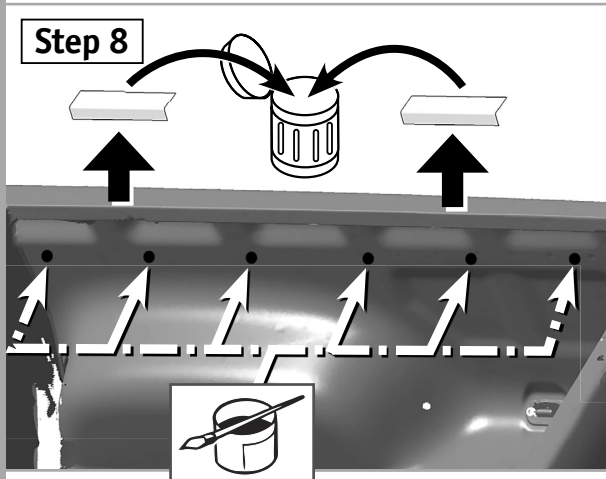
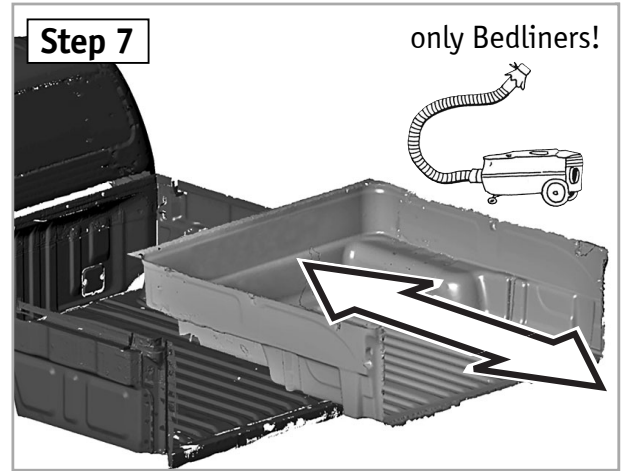
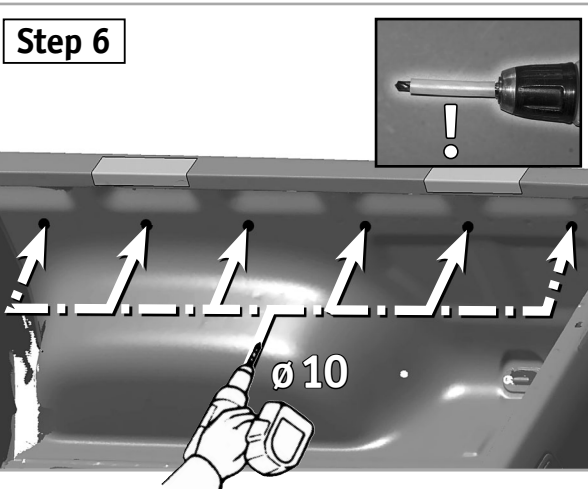
## MOUNTING ROAD RANGER RAIL / MONTAGE ROAD RANGER-SCHIENE

Article-Nr:  
600 03 10

WWW.ROADRANGER.DE



**Article-Nr:**  
600 03 10



Article-Nr:  
600 03 10